

NextGen AIO D1101 Display

Operator Manual

01750342842 E



Table of Contents

1	Manufacturer’s declaration and approval	1-1
2	Supplier’s Declaration of Conformity	2-1
3	Introduction	3-1
3.1	From Point-of-Sale to Point-of-Service	3-1
3.2	Features at a glance	3-1
3.3	About this manual	3-2
4	Display overview	4-1
4.1	D1101.....	4-1
4.2	Touch screen per model	4-1
5	User interfaces	5-1
5.1	Front panel	5-1
5.2	Connector panel	5-3
5.3	On Screen Display (OSD)	5-4
6	Display settings	6-1
6.1	OSD lock/unlock.....	6-1
6.2	RMT enable/disable	6-1
6.3	Power button – lock/unlock	6-2
7	Touch technologies	7-1
7.1	Projected Capacitive Touch Screen	7-1
7.1.1	General information	7-1
7.1.2	Instructions for using the Touch Screen	7-1
7.1.3	Cleaning instructions.....	7-1
8	Initial setup	8-1
8.1	Unpacking and checking the delivery unit.....	8-1
8.2	Installing the display to a stand	8-1
8.2.1	Preparing the stand.....	8-1
8.2.2	Preparing the display	8-4
8.2.3	Installing the stand	8-6
8.3	Connecting the display	8-7
9	Ergonomic Terminal Workplace	9-1
10	Technical Data	10-1
10.1	Dimensions (mm)	10-2
10.2	Projected Capacitive Touch Screen.....	10-3
10.3	Supported resolution	10-3

1 Manufacturer's declaration and approval

General authorization



This device complies with the requirements of the directive 2014/30/EC with regard to "Electromagnetic Compatibility" and 2014/35/EC "Low Voltage Directive" and RoHS directive 2011/65/EU.

Therefore, you will find the CE mark on the device or packaging.

FCC-Class A Declaration

This equipment has been tested and found to comply with the limits for a Class A digital device, pursuant to part 15 of the FCC Rules. These limits are designed to provide reasonable protection against harmful interference when the equipment is operated in a commercial environment. This equipment generates, uses, and can radiate radio frequency energy and, if not installed and used in accordance with the instruction manual, may cause harmful interference to radio communications.

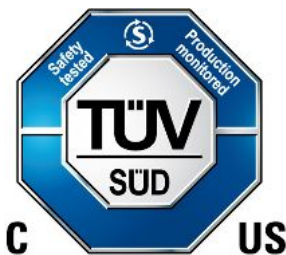
Operation of this equipment in a residential area is likely to cause harmful interference in which case the user will be required to correct the interference at his expense.

Modifications not authorized by the manufacturer may void users' authority to operate this device.

This device complies with part 15 of the FCC Rules. Operation is subject to the following two conditions: (1) This device may not cause harmful interference, and (2) this device must accept any interference, including interference that may cause undesired operation.

CAN ICES-3 (A)/NMB-3 (A)

Tested safety



The Display D1101, Display D1101 /pc-touch has been awarded the cTUVus symbol.

User information



Repair work on the devices should only be carried out by authorized and specially trained personnel. Improper repairs will lead to the loss of any guarantee and liability claims.



Extension boards with electrostatically endangered components can be identified with this label.

Safety information

This device conforms to the corresponding safety regulations for information technology devices, including electronic office machines for use in the office environment.

- If the device is moved from a cold environment to a warmer room where it is to be operated, condensation could occur. The device must be completely dry before being put into operation. Therefore an acclimatization time of at least two hours should be accounted for.
- Lay all cables and supply lines so that nobody can tread on them or trip over them.
- Data cables should neither be connected nor removed during electrical storms.
- This equipment is not suitable for use in locations where children are likely to be present.
- Protect the device from vibrations, dust, moisture and heat, and only transport the device in its original packaging (to protect it against impact and blows).
- Take care to ensure that no foreign objects (e.g. paper clips) or liquids can get into the inside of the device, as this could cause electrical shocks or short circuits.
- In case of emergencies (e.g. damaged housing, liquid or foreign objects getting into the device), the device should be switched off immediately, the mains plug of the BEETLE or PC should be removed, and the Diebold Nixdorf customer service should be contacted.
- If the LCD display element is broken and the liquid crystal solution leaks out of the display and onto your hands, clothing etc., wash your hands or clothing immediately with soap or alcohol, holding them under running water for at least 15 minutes. If the liquid comes into contact with your eyes, please consult a doctor immediately.

Generally you should connect IT-devices only to power supply systems with separately guided protective earth conductor (PE), known as TN-S networks. Do not use PEN conductors! Please also observe the recommendations of the norm DIN VDE 0100, part 540, Appendix C2, as well as EN50174-2, §5.4.3.

Warranty

Diebold Nixdorf guarantees generally a warranty engagement for 12 months beginning with the date of delivery. This warranty engagement covers all those damages which occur despite a normal use of the product.

Damages because of

- improper or insufficient maintenance,
- improper use of the product or unauthorized modifications of the product,
- inadequate location or surroundings

will not be covered by the warranty.

For further information of the stipulation, look at your contract.

All parts of the product which are subject to wear and tear are not included in the warranty engagement.

Please order spare parts at the Diebold Nixdorf customer service.

Instructions for maintenance

Clean your display regularly with an appropriate surface cleaning product. Make sure that the device is switched off, connector cables are unplugged and that no moisture is allowed to get into the inside of the device.

Please observe the maintenance and cleaning instructions for each of the components. These instructions can be found in their respective chapters.

Recycling

Environmental protection does not begin when time comes to dispose of the display; it begins with the manufacturer. The compact display is manufactured without the use of CFCs and CCHS and is produced mainly from reusable components and materials.

The processed plastics can, for the most part, be recycled. Even the precious metals can be recovered, thus saving energy and costly raw materials. Please do not stick labels onto plastic case parts. This would help us to re-use components and material.

You can protect our environment by switching on your display only when it is actually needed. If possible, even avoid the stand-by-mode as this wastes energy, too. Also switch your display off when you take a longer break or finish your work.

There are still some parts that are not reusable. Diebold Nixdorf guarantees the environmentally safe disposal of these parts in a Recycling Center, which is certified pursuant to ISO 9001 and ISO 14001.

So don't simply throw your device on the scrap heap when it has served its time, but take advantage of the environmentally smart, up-to-date recycling methods.

Please contact your competent branch or the Recycling Center Paderborn (for European countries) for information on how to return and re-use devices and disposable materials under the following mail address:

Email: info@Dieboldnixdorf.com

We look forward to your mail.

2 Supplier's Declaration of Conformity

Product Description: LCD Monitor

Model: Display D1101, Display D1101 /pc-touch

Party issuing Supplier's Declaration of Conformity

Diebold Nixdorf Singapore PTE. LTD.

30A Kallang Place, #04-01

Singapore 339213

Phone: +65 6747 3828

Responsible Party – U.S. Contact Information

Diebold Nixdorf

5995 Mayfair Road

N. Canton, OH 44720 / USA

Phone: +1 330 490 5049

FCC Compliance Statement (for products subject to Part 15)

This device complies with Part 15 of the FCC Rules. Operation is subject to the following two conditions:

(1) This device may not cause harmful interference, and (2) this device must accept any interference received, including interference that may cause undesired operation.

3 Introduction

3.1 From Point-of-Sale to Point-of-Service

With the D1101 you are using an ergonomically and customer-friendly cashier's workplace.

Equipped with a sleek modern bezel free design and robust aluminum housing, the D1101 features projected capacitive touch technology. There is also a non-touch version available.

The D1101 features the unique Diebold Nixdorf PanelLink2™ interface. This allows for operation of the displays via a single cable solution. In addition, the screen also offers standard interfaces such as DVI-D and USB-C DP. Instead of using a standard power supply with 12V DC jack, a PoweredUSB cable can be used. The display can be applied in all trade market segments like specialist retailers, department stores, self-service stores, petrol stations or in restaurants. There is indeed a great deal of scope for implementing the display.

They can be used, for example, as:

- a point-of-sale terminal
- an ordering terminal
- an information terminal
- a desk terminal.

The low-energy and flicker-free color monitor of the D1101 is a LCD in TFT-technology (Thin Film Transistor).

Therefore, it is well suited for multimedia applications as it offers brilliant color representation, an excellent contrast ratio and a high display speed.


3.2 Features at a glance


- Low footprint
- Autoscaling of the screen
- Flicker-free
- Very good contrast ratio, sharpness, width, phase, color temperature and brightness via OSD menu
- LCD TFT technology
- Digital interface
- Simple installation via plug & play feature
- Mounting VESA 75 standard

3.3 About this manual

This manual informs you about everything you might need to know for the installation (software and hardware), the operation and the maintenance of your D1101.

Some parts of this book require familiarity and experience in working with operating systems and installation and configuration procedures.

	NOTE
	Notes in the manual are marked by this symbol.

	⚠ WARNING
	This symbol is used for warnings.

4 Display overview

4.1 D1101



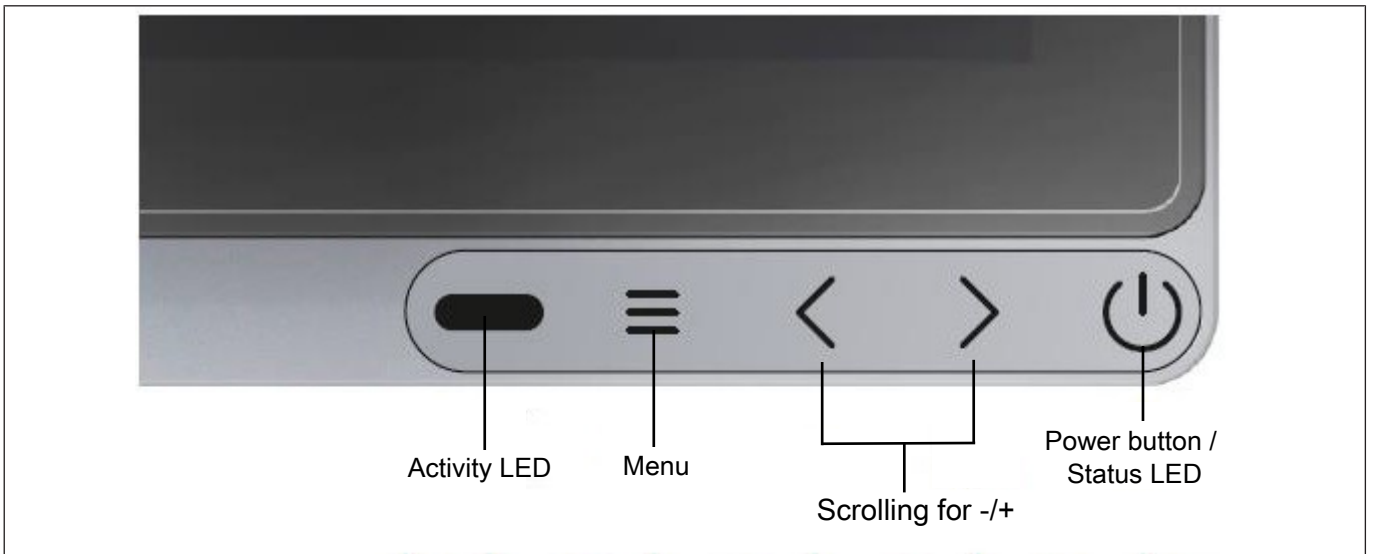
The LCD TFT Panel Display is a 10.1-inch flat panel display which is absolutely flicker-free. It is designed for a resolution of max. 1280 x 800 pixels. Application programs should use this resolution.

4.2 Touch screen per model

Model	Screen Size	Touch Screen
Display D1101 /pc-touch	10.1"	Projected Capacitive Touch
Display D1101	10.1"	No Touch, Protective Glass

5 User interfaces

5.1 Front panel



Menu

Via the menu you can set the brightness, contrast and color.

Scrolling

The arrows serve for scrolling forwards or backwards in the menu items.

LED

1) OSD Setting: Enable Power LED = "ON" (default)

Operating Condition	Behavior of Power Button LED (white)	Behavior of Activity LED (green/red/amber)
Active / Operating	LED on; white, full brightness	LED on; green
Standby / No video input	LED on; white, dimmed brightness	LED blinking; amber
Soft-Off	LED on; white, dimmed brightness	LED on; amber
No power input	LED off	LED off


2) OSD Setting: Enable Power LED = "OFF"

Operating Condition	Behavior of Power Button LED (white)	Behavior of Activity LED (green/red/amber)
Active / Operating	LED off	LED on; green
Standby / No video input	LED off	LED off
Soft-Off	LED off	LED off
No power input	LED off	LED off

NOTICE! Above LED behavior implemented from Scalar FW A02.21 & MCU FW A01.13 onwards.

ON/OFF button

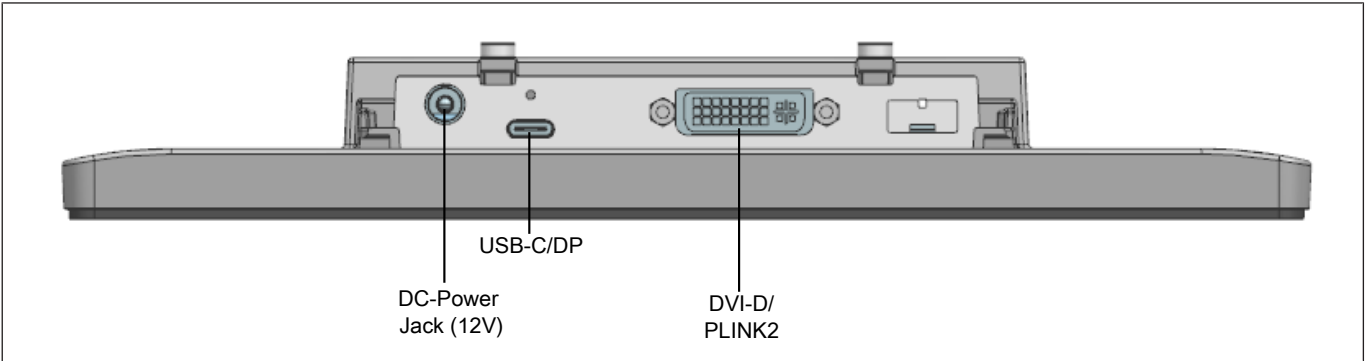
With this button you can switch the display on or off.

	<i>NOTE</i>
	<p>If the display is manually switched off, it will not wake up automatically when the system boots.</p>

When the D1101 is connected via PLINK2™ interface to a BEETLE system, the button also switches the system on or off, provided that the system supports the feature. See section Display Settings / RMT enable/disable for details.

5.2 Connector panel

The following sockets are located under the bezel of the display:



DC-Power Jack	Power supply for the screen via external power supply or PoweredUSB (12V).
USB-C/DP	USB connection to the PC system.
DVI-D/ PLINK2	DVI-D or PLINK 2 for video/data transfer between the system and the TFT display.

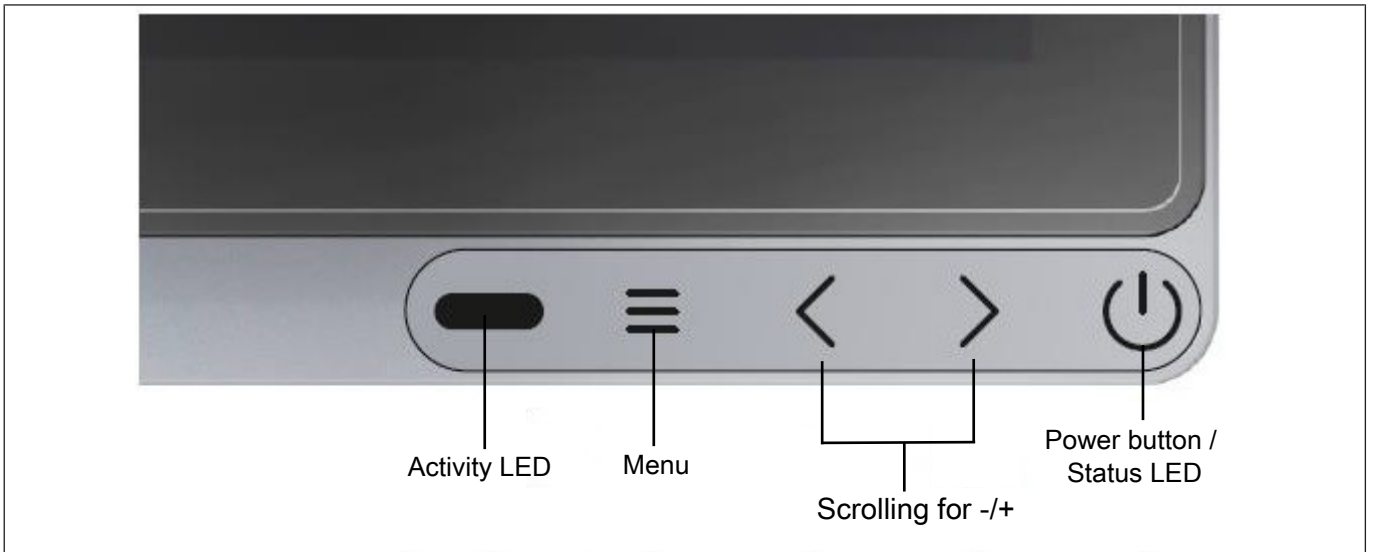


NOTE

For BEETLE systems with PLINK2 interface, a PLINK2 cable can be used to as a single wire interface to supply power, video and data signal to the display.

5.3 On Screen Display (OSD)

A set of 4 buttons is located at the front panel.



Pressing the menu button will activate the OSD.

Depending on the selected function, a sub-menu option will be available for a selection on the same screen.

There are two ways to exit the OSD menu:

- via exit or
- wait for the OSD to time-out (saves changes and exit).

The adjustments will be saved in each way.

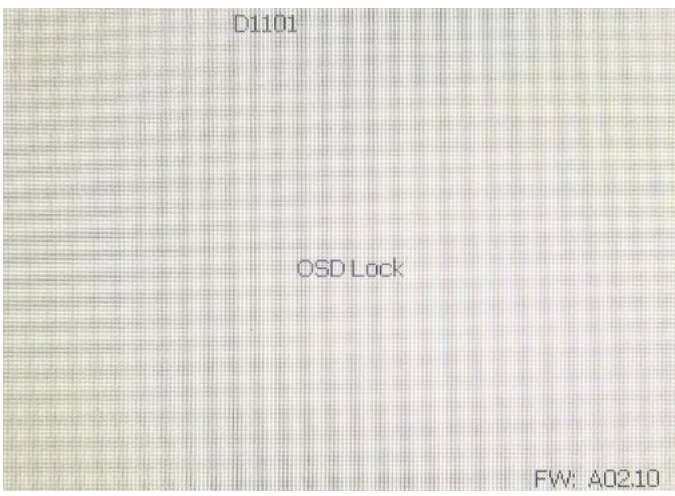
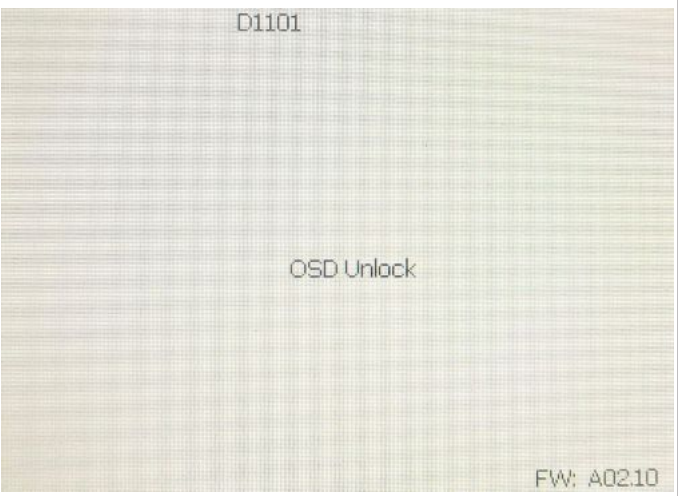
There are a number of parameters that can be set via the OSD menu. Please refer to the table on the next page for details.

6 Display settings

The D1101 display offers several settings which are available through the OSD. Below you can find a list of specific factory default settings that can be customized in order to suit the specific installation needs.

6.1 OSD lock/unlock

Per default the OSD is accessible to the end user, allowing user to make changes to the display settings. The OSD can be locked by pressing and holding the menu button for approx. 6 seconds. The display shows a message on the screen that the OSD is now locked.


OSD lock	OSD Unlock
	

6.2 RMT enable/disable

The RMT feature allows the display's power button to act as the power button of the BEETLE system. This feature is only available when the display is connected to a BEETLE system using a PLINK2™ interface cable. The mode of operation depends on the settings of the BEETLE BIOS as well as on the display settings. For details please consult the table below.


BEETLE BIOS Settings	Settings	BEETLE System and Display State	Result of pressing the Display power button
RMT enabled	RMT enabled	OFF	System starts booting; Display switches on by system.
		ON	System starts shutdown; Display switches off when system shutdown is completed.
	RMT disabled	OFF	System starts booting; Display switches on by system.
		ON	System no reaction; Display switches off.

RMT disabled	RMT enabled	OFF	System no reaction; Display remains off.
		ON	System no reaction; Display remains on.
	RMT disabled	OFF	System no reaction; Display remains off.
		ON	System no reaction; Display switches off.

	NOTE
	1 For FW 2.10 onwards. For information about the power button behavior of previous FW versions, please contact a Diebold Nixdorf sales representative.

6.3 Power button – lock/unlock

The power button is unlocked by default. The user can switch the display on and off discretely, independent of the connected host system. If the power button is locked, the user cannot manually switch the display on or off.

	NOTE
	If RMT is enabled, power button will initiate RMT signal to host system but will not switch the display off.

7 Touch technologies

7.1 Projected Capacitive Touch Screen

7.1.1 General information

The use of projected-capacitive touch screens has all the benefits a normal capacitive touch screen has:


- fast processing of touch information
- high sensitivity (use with hands, conductive pencils and also with thin gloves)
- high resolution
- improved legibility and display brightness due to optimal light transmission


In addition the technology of projected-capacitive touch screens is characterized by significant higher robustness and stability, because the active touch surface – different from common capacitive touch screens which were used until now - is located on the back side of the touch screen. Thus the active touch surface is not touched directly anymore and therefore will not wear off by normal use. As most of the surface contaminations do not cause an interference of the touch screen, this technology can be used in public or under severe environmental conditions.

7.1.2 Instructions for using the Touch Screen

The touch screen responds to the lightest touches. The touch with only one finger is like the use of the left mouse button. The use of the touch screen with two fingers generates a zoom if the fingers are brought together or pulled apart. With a circular motion of the fingers the element on the display can be rotated. This function must be supported by either the operating system or by the application.

7.1.3 Cleaning instructions

	⚠ WARNING
	<p>Always turn off the system before cleaning.</p> <p>The glass surface of your Touch Screen should be cleaned with a mild, abrasive free, commercially available glass cleaning product. All pH neutral materials (pH 6 to 8) are good for cleaning.</p> <p>Cleaners with pH values 9 to 10 are not recommended. Cleaning with water and iso-propyl alcohol is possible as well. Do not use sol vents containing acetic acid. Use a soft, fine-meshed cloth to clean the surface. Dampen the cloth slightly and then clean the screen.</p>

	NOTE
	<p>A wrong maintenance may cause damages to the screen, which are not covered by guarantee or warranty.</p>

8 Initial setup

8.1 Unpacking and checking the delivery unit

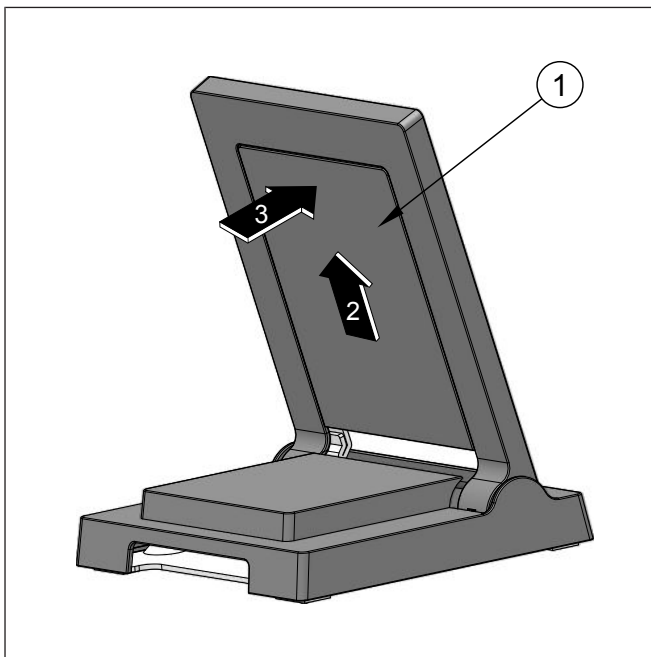
Unpack the parts and check to see whether the delivery matches the information on the delivery note. The delivery comprises the respective screen module. Data cables, necessary for operation, can be ordered separately. If damage has occurred during shipping or if the package contents do not match the delivery note, immediately inform your Diebold Nixdorf sales outlet.

Transport the device only in its original packaging (to protect it against impact and shock).

8.2 Installing the display to a stand

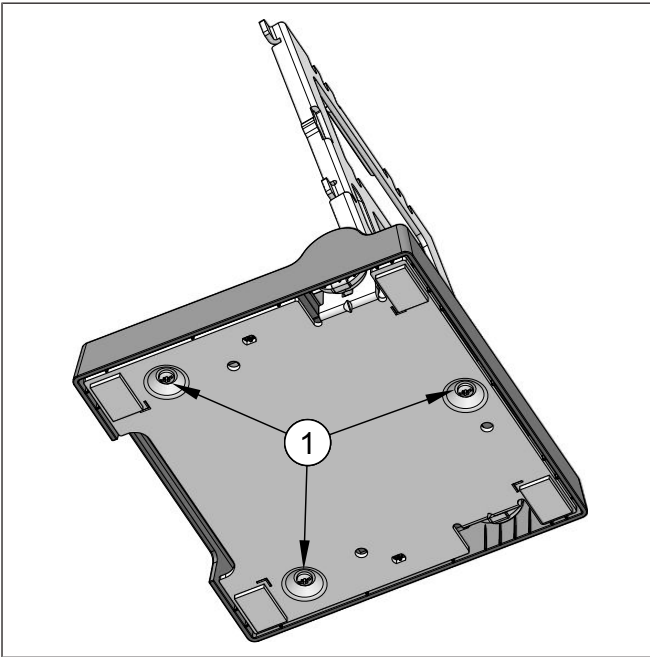
8.2.1 Preparing the stand

	⚠ WARNING
To avoid damage to the back cover of the stand, be careful of how you would remove it.	



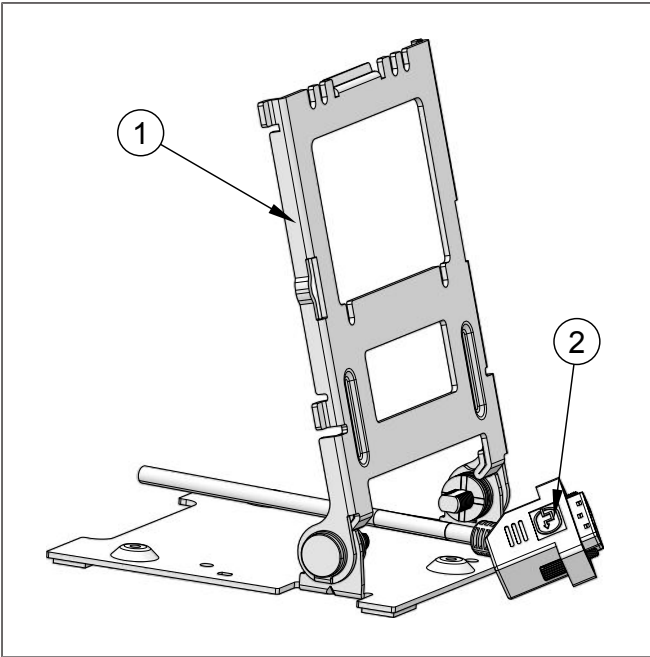
1. Push the stand to the furthest angle (3).
2. Drag the upper part of the back cover (1) in the direction of the arrow (2).

Figure 8-1: Removing the upper back cover



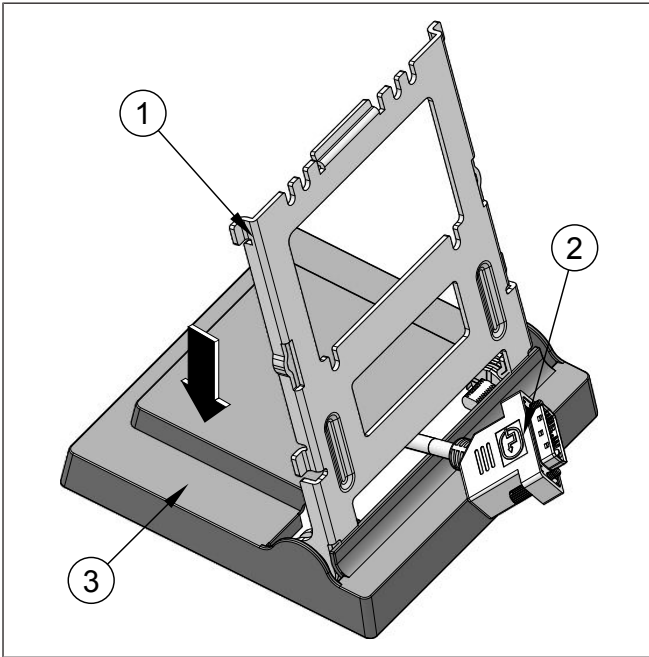
3. Loosen the screws (1).
4. Remove the lower back cover from the stand.

Figure 8-2: Removing the lower back cover



5. Feed all for your interface required cables (2) through the lower opening of the stand (1).

Figure 8-3: Manage cabling through the stand

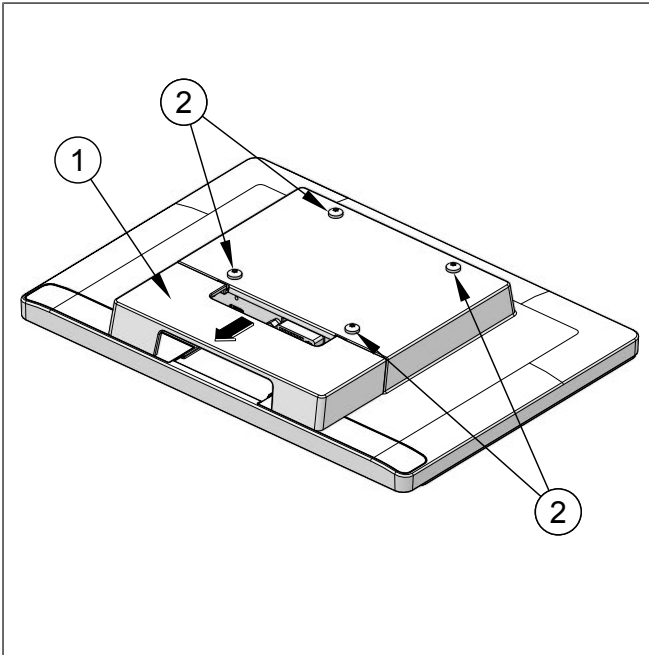


6. Slide the lower back cover (3) onto the stand (1).
7. Feed all for your interface required cables (2) through the opening of the lower back cover (3) and the lower opening in the stand.

Figure 8-4: Manage cabling through the lower back cover

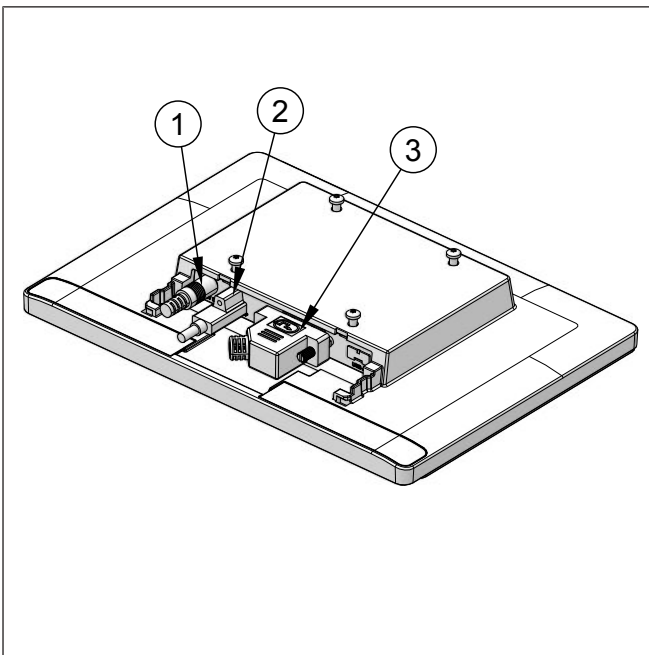
8.2.2 Preparing the display

1. To protect the display, lay out a piece of cloth on a flat surface, e.g. a table.
2. Place the display, with the glass facing down, on the protection cloth.



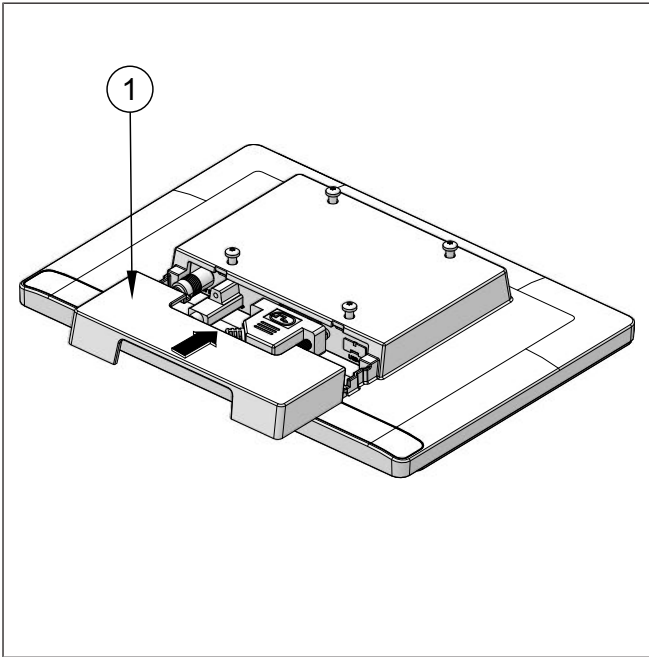
3. Drag the cable cover (1) in the direction of the arrow.
4. Loosen the screws (2) slightly, so that they are still attached to the display.

Figure 8-5: Remove the cable cover and loosen the screws



5. Attach the cables needed for your interface to the display, this is either:
 - The USB-C cable to the USB-C port (2).
 - the PLINK2 cable to the DVI-port (3).
 - the 12V Power cable to the DC-port (1), the DVI-D cable to the DVI-port (3) and the USB-C to USB-A cable to the USB-C port (2).

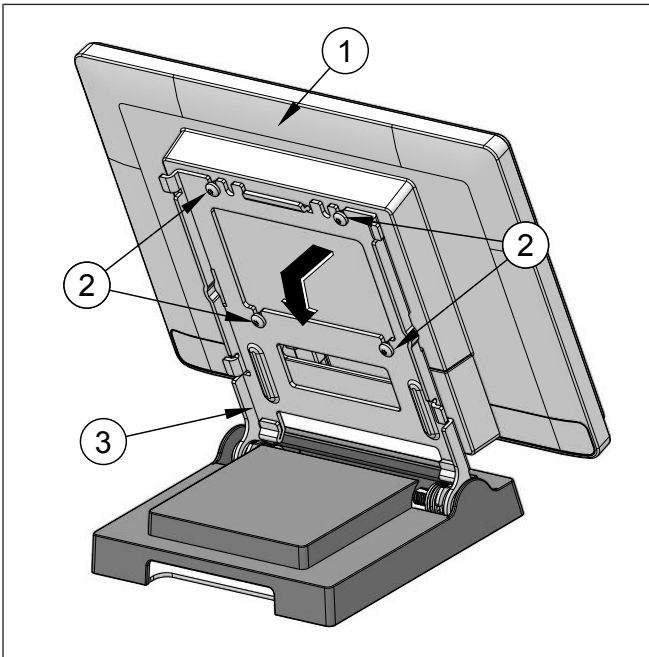
Figure 8-6: Attaching all cables to the display



6. Mount the cable cover (1) to the display.

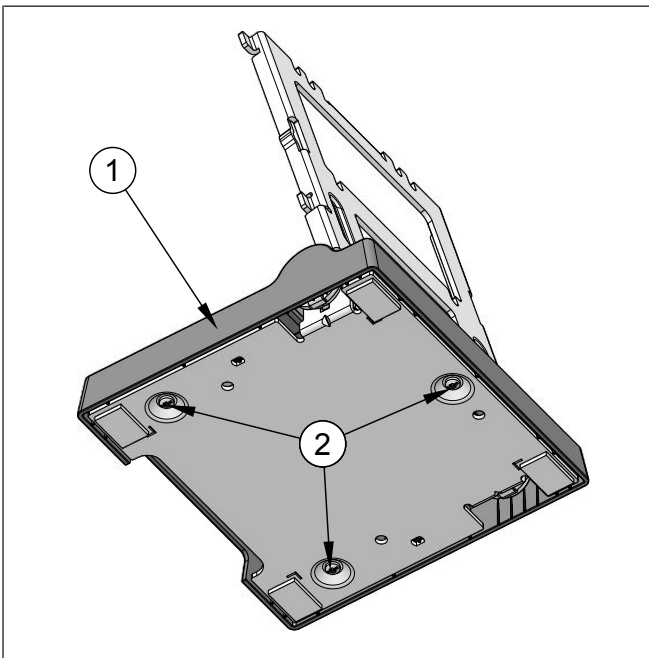
Figure 8-7: Mounting the cable cover

8.2.3 Installing the stand



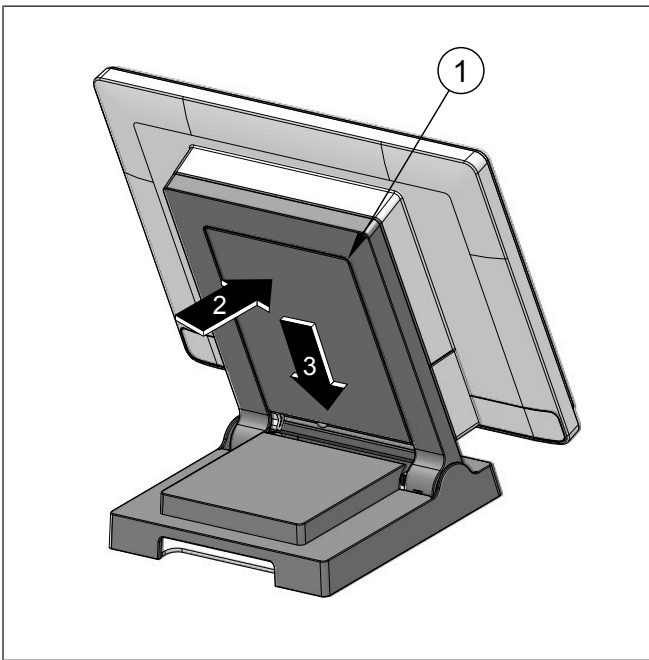
1. Suspend the display (1) with the screws (2) into the corresponding notches of the stand (3).
2. Tighten the screws (2).

Figure 8-8: Attaching the display to the stand



3. Secure the lower back cover (1) with screws (2).

Figure 8-9: Mounting the lower back cover to the stand



4. Push the stand to the furthest angle (2).
5. Mount the upper back cover (1) on the stand by pushing it down in the indicated direction (3).

Figure 8-10: Mounting the upper back cover



NOTE

When uninstalling the stand, always make sure that all cables are disconnected.

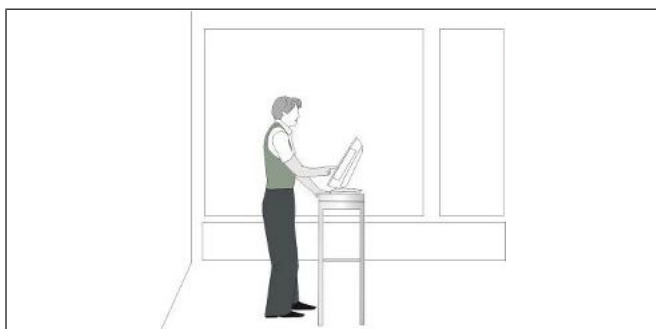
8.3 Connecting the display



NOTE

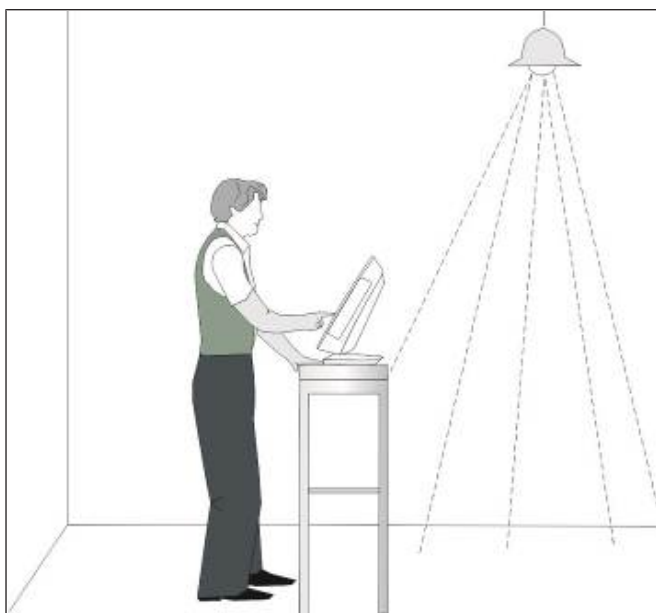
Switch off the system and disconnect it from the mains supply before connecting the cables.

9 Ergonomic Terminal Workplace

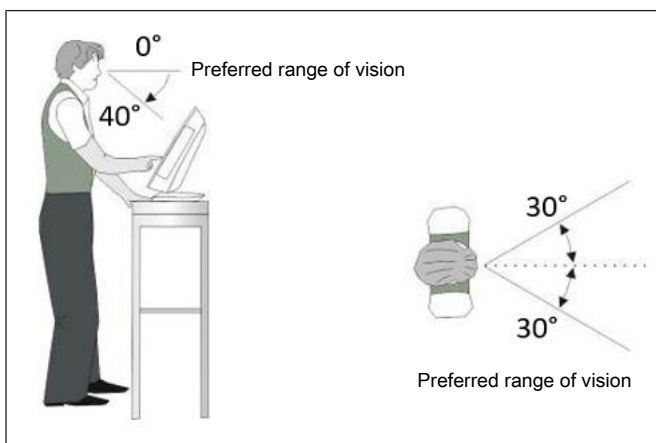


Please observe the following when setting up your terminal workplace:

Avoid direct glaring and reflective glaring. Use the screen only in a controlled luminance surrounding. Install the device with a viewing direction that is parallel to the windows.



Avoid reflective glaring caused by electric light sources.



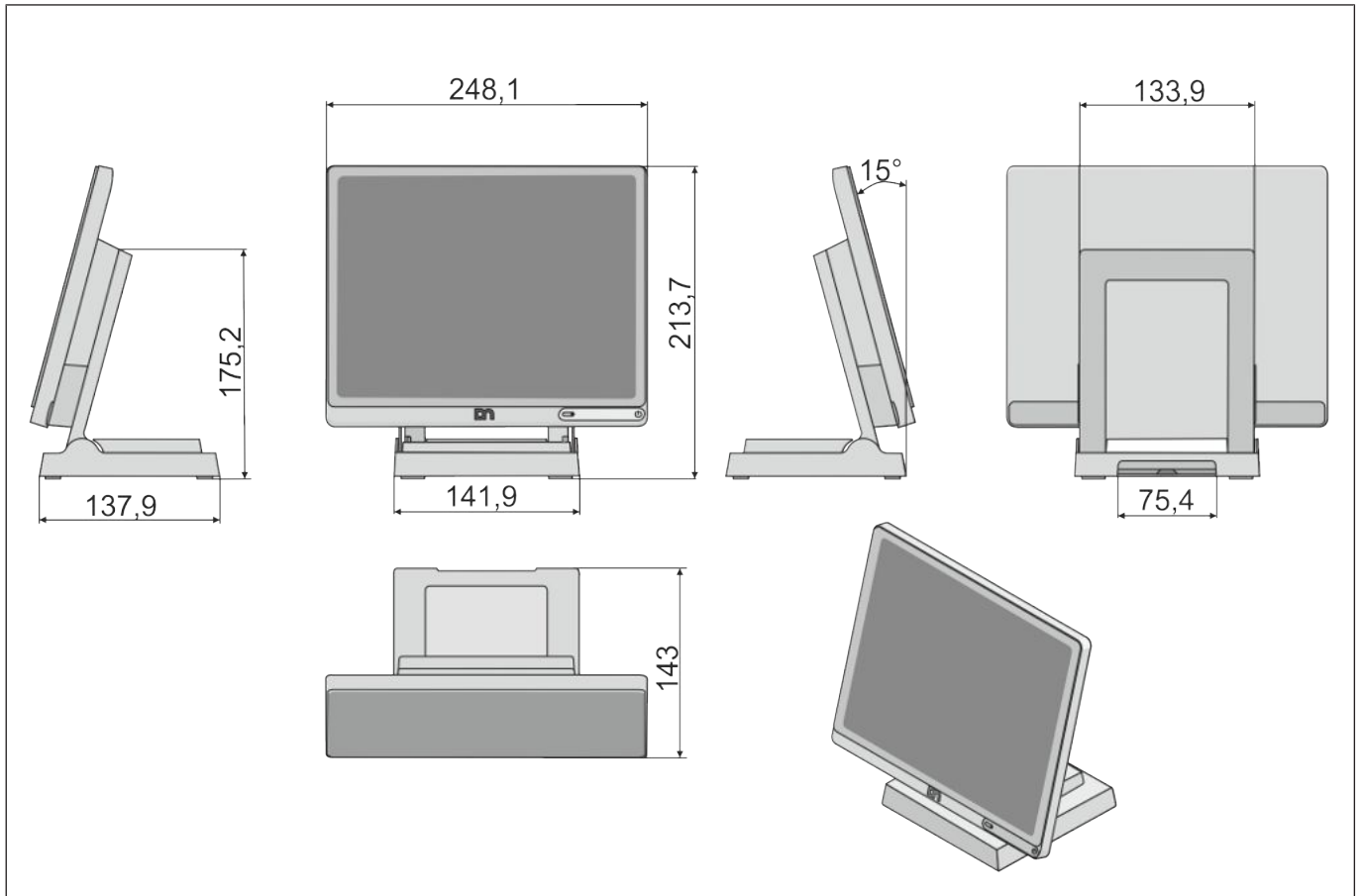
Position the screen within a preferred and permitted range of vision, so that you can look vertically onto the screen.

10 Technical Data

Model		D1101
Dimensions	Diagonal screen	10.1" (25.6 cm)
	Active screen (mm) horizontal x vertical	216.9 mm x 135.6 mm
	Cable length	up to 5m
	Display housing width x height x depth (mm)	249x178x35
Weight	without base	0.9 kg
	with base	1.6 kg
Climate class		IEC 721 3/3 Class 3K3
Operating temperature		+ 5 °C to + 40 °C
Humidity		5% to 85% Absolute humidity 1g/m ³ to 25g/m ³ Condensation is not permitted
Frequencies	Horizontal (KHz)	49.7
	Vertical (Hz)	59.8
Native resolution	Horizontal (Pixel)	1280
	Vertical (Pixel)	800
	Color depth	Up to 16.7 Mio.
Pixel format (approx. in mm)		0.1695x0.1695
Graphic interface	internal	LVDS
	external	PLINK2, DVI-D, USB-C DP
Viewing angle	Horizontal	85 ° / 85 °
	Vertical	85 ° / 85 °
Brightness	Projected Capacitive	350 cd/ m ²
	Non-Touch	350 cd/ m ²
Contrast	Projected Capacitive	800:1
	Non-Touch	800:1
Backlight		LED
Power consumption	Typical	4.2 W
	Maximum	5.8 W

10.1 Dimensions (mm)



D1101



10.2 Projected Capacitive Touch Screen

Resolutions	Horizontal	1024
	Vertical	1024
Touch Technology		Projected Capacitive
Surface		Anti-glare
Data transfer		USB
Multi Touch		10-points Touch (Gestures Supported)

10.3 Supported resolution

	 WARNING
	<p>Scaling to any display resolution other than recommended panel native resolution (highlighted with **) will result in lower display quality like uneven character/spacing.</p>

D1101

Resolution		Refresh Rate	Horizontal Sync	Vertical Sync
			Frequency (KHz)	Frequency (Hz)
VGA	720 x 400	70Hz	31.47	70.09
VGA	640 x 480	60Hz	31.47	59.94
SVGA	800 x 600	60Hz	37.88	60.32
XGA	1024 x 768	60Hz	48.36	60.00
WXGA	1280 x 800	60Hz	49.70	59.81

Abbreviation Index

CE

European conformity marking

cUL

Canadian Registration DIN (Recognized by UL)

DIN

Deutsche Industrie Norm (German Institute for Industrial Standards)

DVI-D

Digital Visual Interface Digital

IEC

International Electro technical Commission

ISO

International Organization for Standardization

LCD

Liquid Cristal Display

LED

Light Emitting Diode

LVDS

Low Voltage Differential Signal

OSD

On Screen Display

POS

Point Of Sales

SVGA

Super Video Graphics Array

TFT

Thin Film Transistor Technology (LCD Technology)

UL

Underwriters Laboratory (standards)

USB

Universal Serial Bus

VDE

Verband Deutscher Elektrotechniker (German Electricians Association)

VESA

Video Electronics Standard Association

VGA

Video Graphics Array

XGA

Extended Graphics Array

DIEBOLD NIXDORF, Incorporated

50 Executive Pkwy | PO Box 2520 | Hudson, OH 44236 | USA

© 2022 Diebold Nixdorf, Incorporated. All Rights Reserved.

